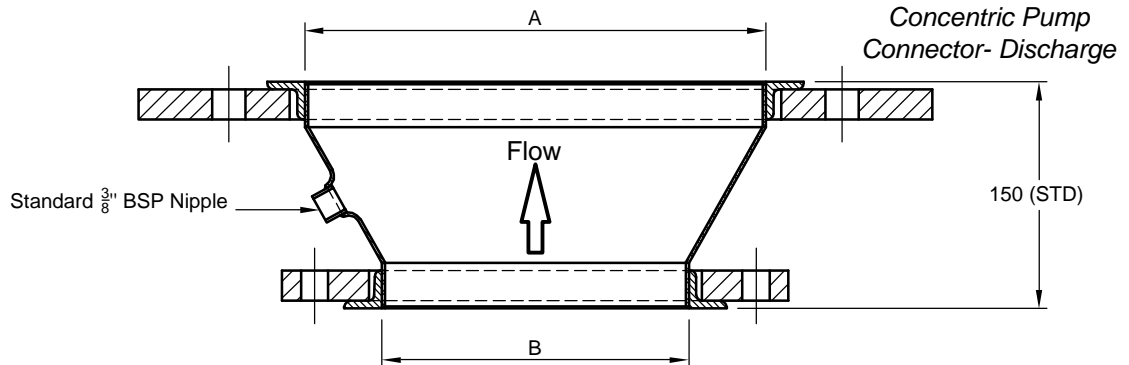


A (Line)	B (Pump)	NOM (l/sec)	Standard Part No.
100	65	10	20-800
100	80	10	20-801
150	80	20	20-802
150	100	20	20-803
150	125	20	20-804
200	100	35	20-805
200	125	35	20-806
200	150	35	20-807
250	125	60	20-808
250	150	60	20-809
300	150	75	20-810
300	200	75	20-811
300	250	75	20-812
350	200	90	20-813
Custom Make			20-815



A (Line)	B (Pump)	NOM (l/sec)	Standard Part No.
100	65	20	20-830
150	80	40	20-831
150	100	40	20-832
150	125	40	20-833
200	100	75	20-834
200	125	75	20-835
200	150	75	20-836
250	125	100	20-837
250	150	100	20-838
300	150	160	20-839
Custom Make			20-860

1. Pump connectors are smooth bore transitions fabricated from Grade 316 Stainless Steel in accordance with Tech Note 16 & Weld procedure WP-04.
2. Finish; Stainless Steel, as welded, acid passivated, natural finish complete with hot dipped galvanised split HDG backing flanges drilled to AS2129 Table 'E'.
3. Sizes are FULHAM ENGINEERING standard sizes. Special dimensions and other flange requirements are subject to quotation.
4. Pump Connectors are complete with 3/8" BSP sockets as standard, different/extra sockets available upon request.
5. Nominal flow is based on a line size of 1.25 m/sec for the Eccentric Pump Connectors & 2.5 m/sec for the Concentric Pump Connectors.



Title

PUMP CONNECTORS
Grade 316 Stainless Steel

Whilst this data represents the latest information available at the time of printing, the manufacturer assumes no liability for its use.

Date

14/08/06

Drawn

PB

Drg No.

20-25[B]