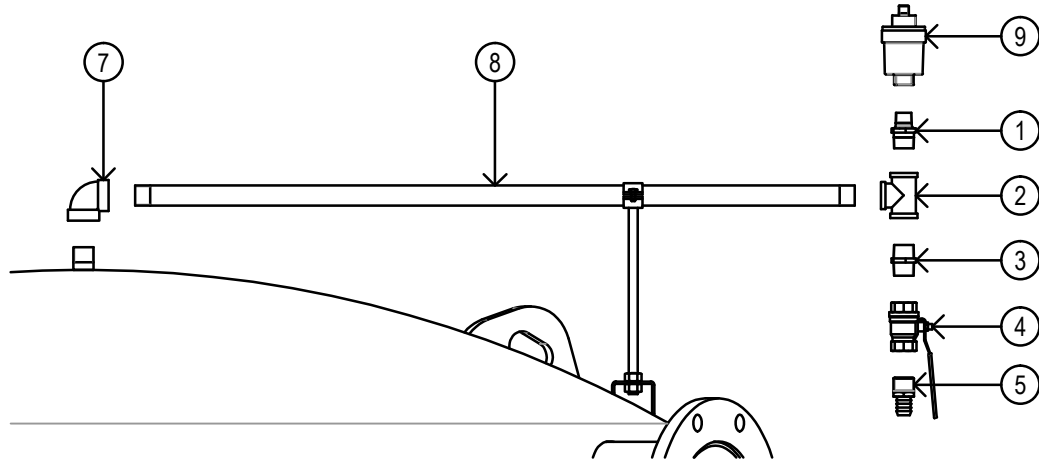
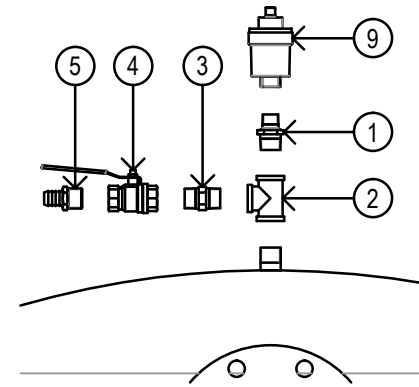


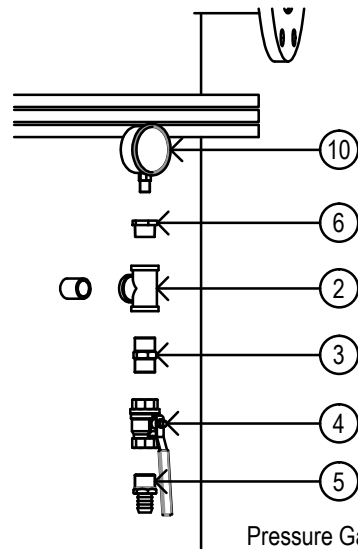
Note: Details subject to change without notice.



Air Vent Fittings
Filter Models PCT-400 And Above



Air Vent Fittings
Filter Models PCT-300 And Below



Pressure Gauge/Drain Fittings
All Models

All connections on filters 3/4" BSP tank/toe nipples

TANK FITTINGS

ITEM	Qty/FILTER	DESCRIPTION/BLANK SIZE	MATERIAL/GRADE
1	1	Hex reducing nipple - 3/4 x 1/2" BSP	Brass or Nyglass
2	2	3/4" BSP tee	
3	2	Hex nipple - 3/4" BSP	
4	2	Ball valve - 3/4" BSP	
5	2	Barb hose tail - 3/4" BSP	
6	1	Reducing bush - 3/4" x 3/8" BSP	
7	1	90° elbow - 3/4" BSP	
8	1	NB 3/4 schedule 10 extension pipe x Nom 1000 Lng c/w clamp bracket	316 ST/STL
9	1	Air vent - Spirax A.30 (1/2" BSP/F)	
10	1	Pressure gauge (3/8" BSP/M)	



02.10.12 Initial Issue
Date Revision

App.

Title

ATLAS FILTER SMALL BORE FITTINGS
Stainless Steel Filter Models Only

Whilst this data represents the latest information available at the time of printing, the manufacturer assumes no liability for its use.

Date
02 October 2012

Drawn
PB

Drg No.
F213-016