



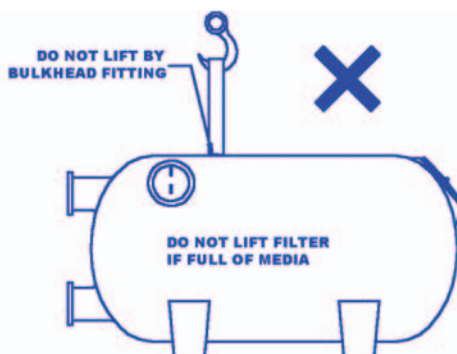
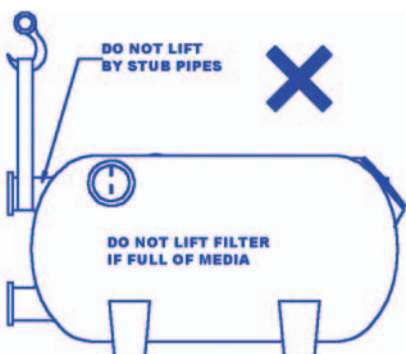
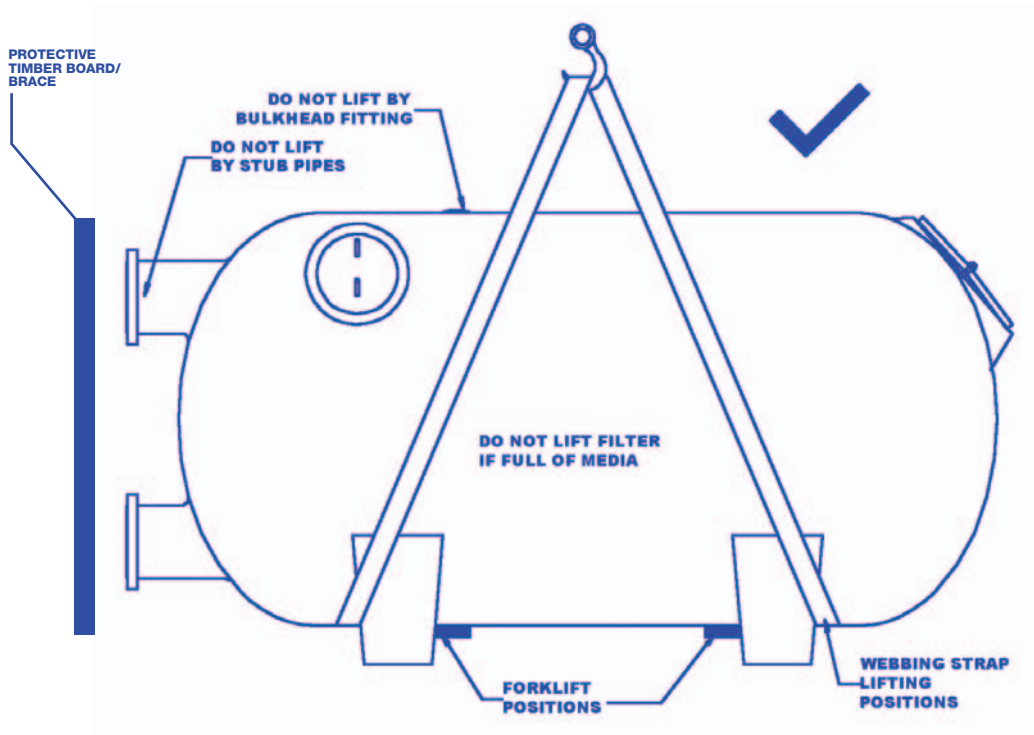
CHADSON GRANULAR FILTERS SERVICE INSTRUCTION SHEET

DATE: MAY 06 REVISION: B DOC #: 110

PG 1/2

TITLE: LIFTING & PLACEMENT OF FILTERS

LIFTING FILTERS



NOTE:

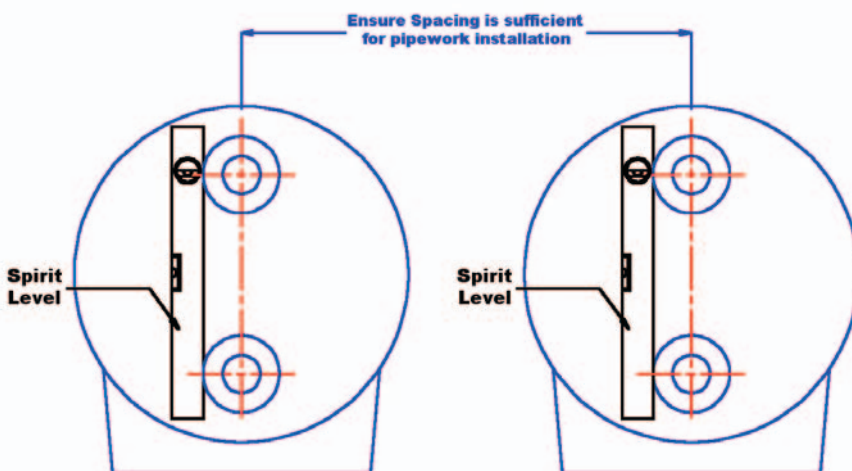
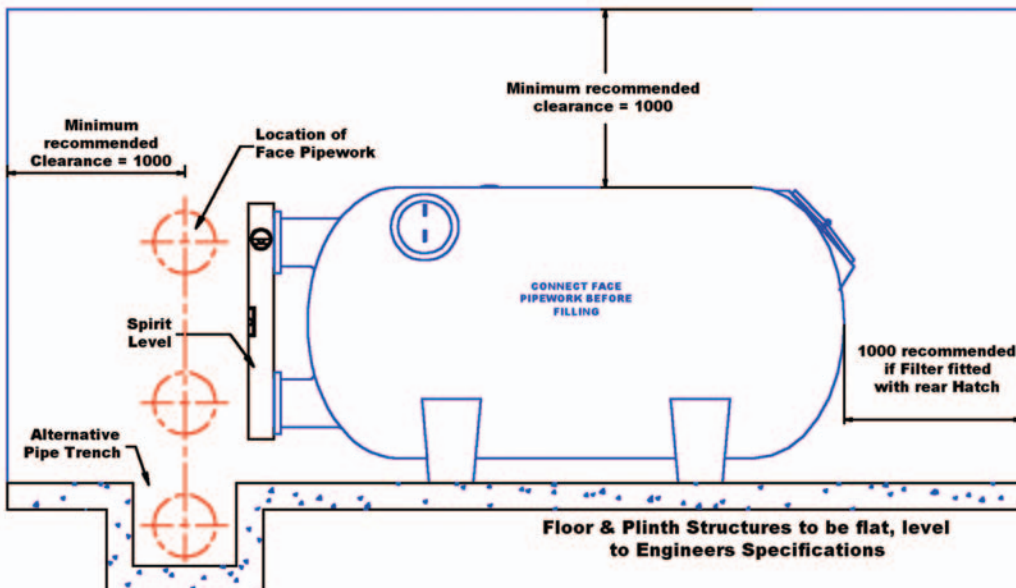
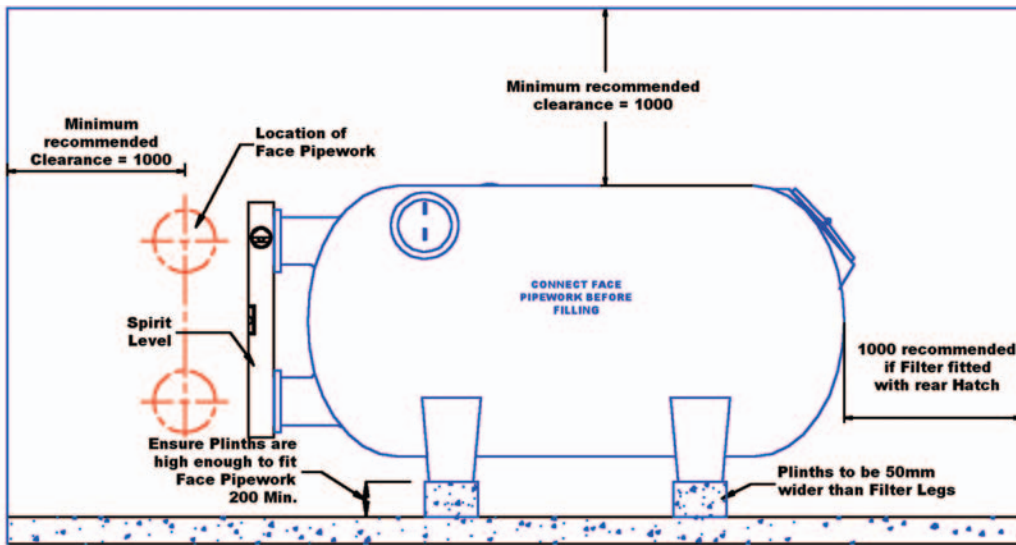
MECHANICAL LIFTING DEVICES MUST BE OPERATED IN ACCORDANCE WITH STATUTORY REQUIREMENTS BY QUALIFIED & AUTHORIZED PERSONS

SHIPPING WEIGHTS ARE QUOTED ON SPECIFIC SALES OUTLINE DRAWINGS

CHECK FOR ANY VISIBLE TRANSPORT DAMAGE & MAKE CLAIM WITHIN 7 DAYS OF DELIVERY

TRANSPORT WRAPPING SHOULD BE REMOVED AT EARLIEST POSSIBLE OPPORTUNITY

LOCATION OF FILTERS & RECOMMENDED CLEARANCES



NOTE:
 FILTER SERVICE WEIGHTS (WITH MEDIA & WATER CONTENTS) ARE AS QUOTED ON SALES OUTLINE DRAWINGS

NOTE: Do not fill with filter media until face plumbing & drain valve have been installed

DISCLAIMER: Whilst the information provided within these instructions is the best available at the time of publication, it may be subject to change and/or revision, Chadson Granular Filters assumes no responsibility for the accuracy or the use of information provided within these instructions. It is the installers (and/or the operators) responsibility to obtain and check all current undertaking any procedure, service work or revision, CGF recommends that all service work be undertaken by an Authorised Service Centre (ASC).